

REMER

SCHEDA TECNICA

TECHNICAL FEATURES

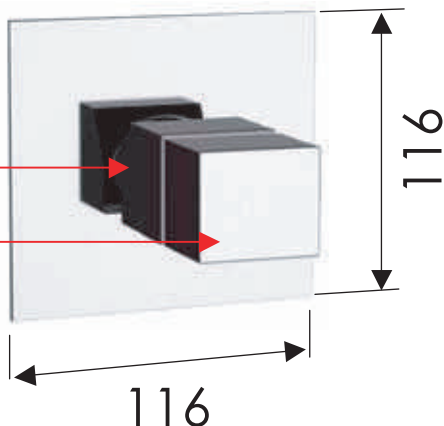
RUBINETTERIE

ART. COD.

QT30

2 MANIGLIE COASSIALI
2 COAXIAL HANDLES
ON-OFF +T°

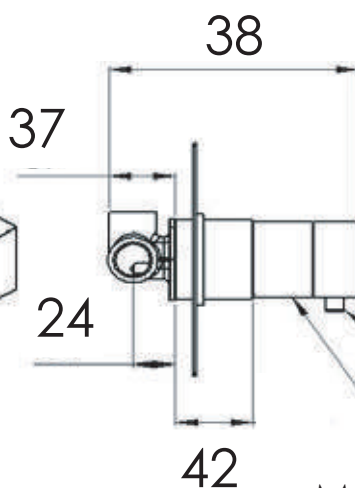
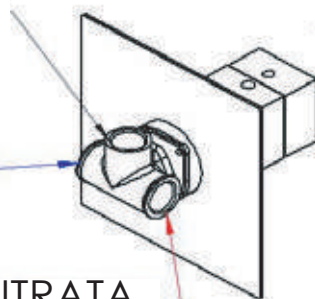
TERMOSTATICO
THERMOSTATIC



USCITA ACQUA MISCELATA
MIXED WATER OUTLET

ENTRATA
ACQUA FREDDA
COLD WATER
INLET

ENTRATA
ACQUA CALDA
HOT WATER
INLET



CARTUCCIA
COASSIALE
COAXIAL
CARTRIDGE

MANOPOLA
TERMO
THERMO
HANDLE
STOP 38°C

MANOPOLA FLUSSO
FLOW HANDLE

MATERIALI / MATERIALS

OTTONE CROMATO / CHROME PLATED BRASS

CROMATURA / CHROME PLATING

UNI EN 248

Via Leonardo da Vinci 83 - 20062 Cassano d'Adda (MI) Italy - Tel. +39-0363 364211

info@remer.eu

www.remer.eu