

REMER

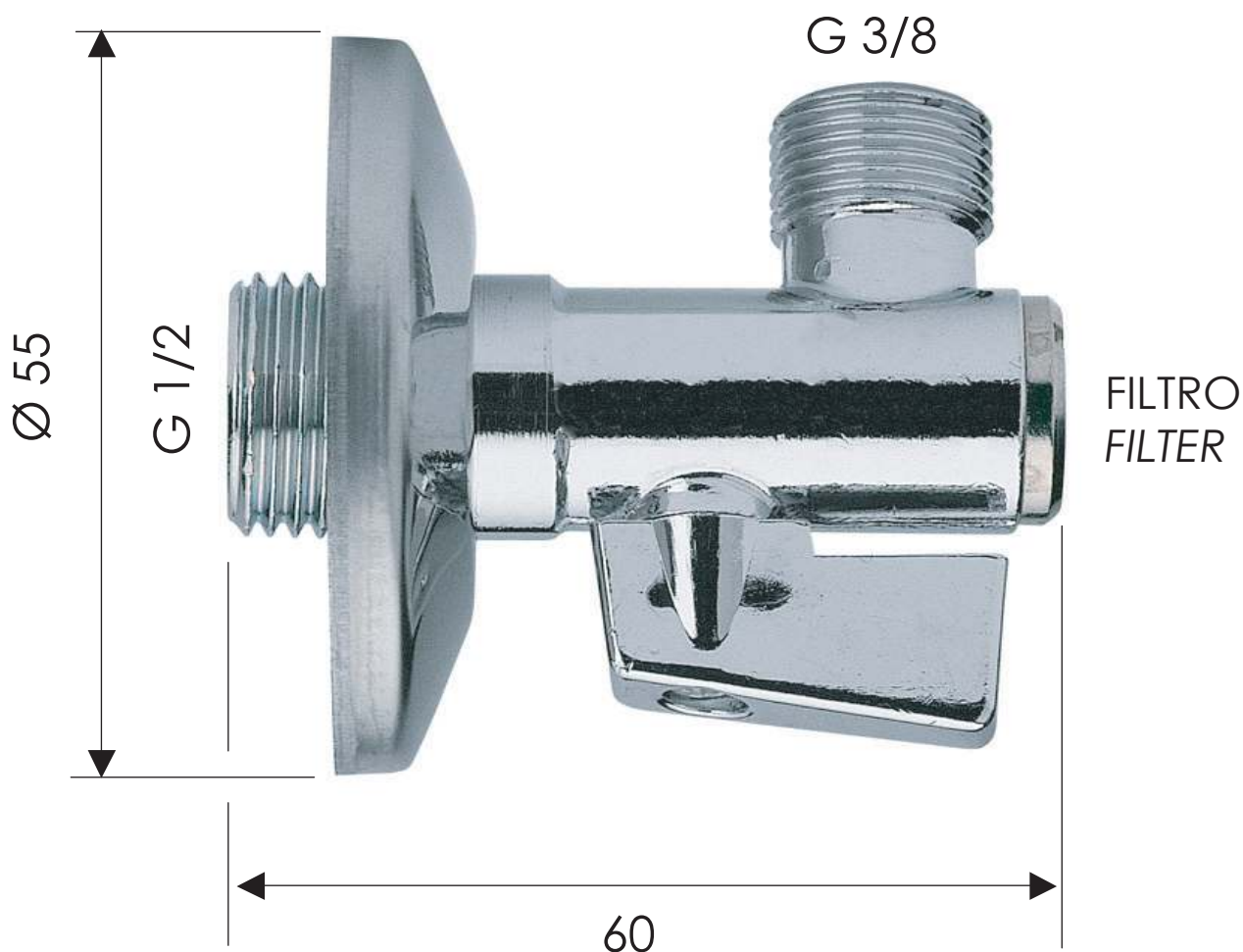
RUBINETTERIE

SCHEDA TECNICA

TECHNICAL FEATURES

ART. COD.

127A1238



MATERIALI / MATERIALS

OTTONE / BRASS

CW617N

UNI EN 12165

PLASTICA / PLASTIC
GUARNIZIONI / GASKETS

ABS

NBR

UNI EN 12165

TENUTE / SEALS

PTFE

FILETTATURE / THREADS

UNI ISO 228/1

CROMATURA / CHROME PLATING

UNI EN 248

FILTRO / FILTER

AISI 302

Via Leonardo da Vinci 83 - 20062 Cassano d'Adda (MI) Italy - Tel. +39-0363 364211

info@remer.eu

www.remer.eu