

REMER

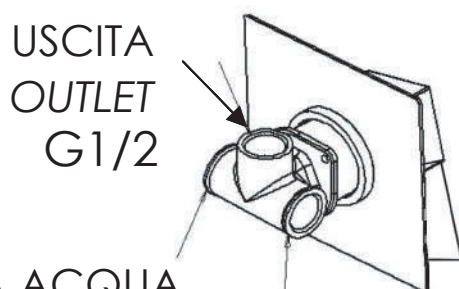
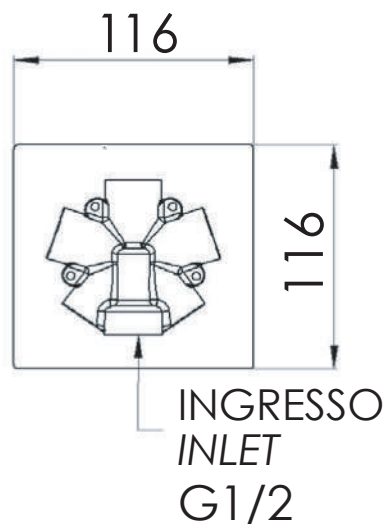
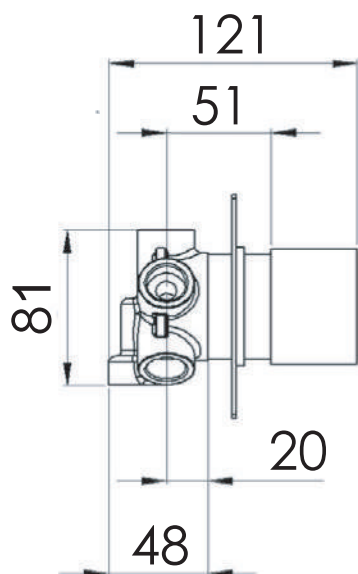
RUBINETTERIE

SCHEDA TECNICA

ART. COD.

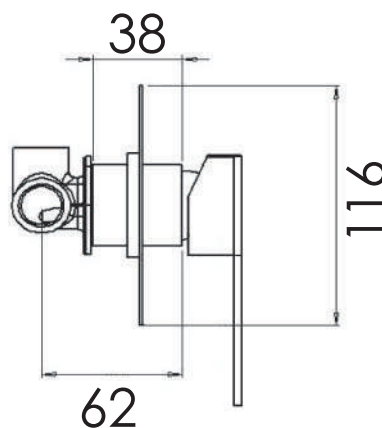
TECHNICAL FEATURES

Q95C



ENTRATA ACQUA FREDDA
COLD WATER INLET
G1/2

ENTRATA ACQUA CALDA
HOT WATER INLET
G1/2



MATERIALI / MATERIALS

OTTONE CROMATO / CHROME PLATED BRASS

CROMATURA / CHROME PLATING

UNI EN 248

Via Leonardo da Vinci 83 - 20062 Cassano d'Adda (MI) Italy - Tel. +39-0363 364211

info@remer.eu

www.remer.eu