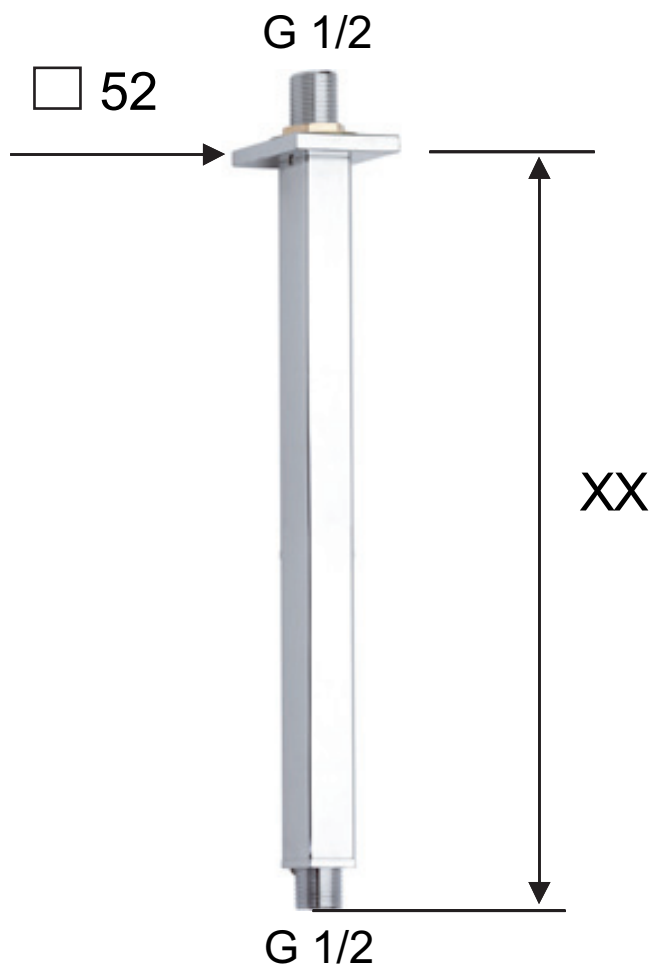


ART. COD.

**347 S**



XX = 200, 300 , 400 , 500

**MATERIALI / MATERIALS**

OTTONE CROMATO / CHROME PLATED BRASS

**CROMATURA / CHROME PLATING**

UNI EN 248