

# REMER

## SCHEDA TECNICA

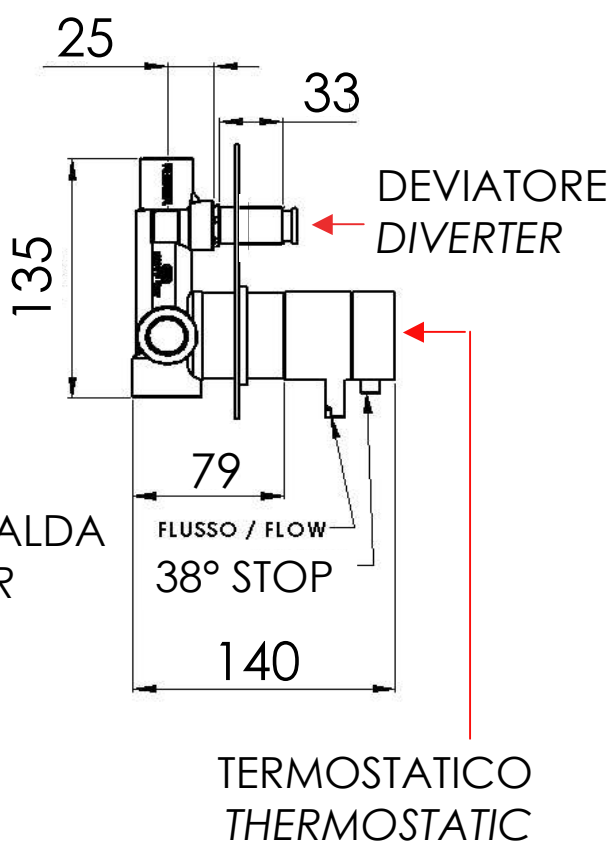
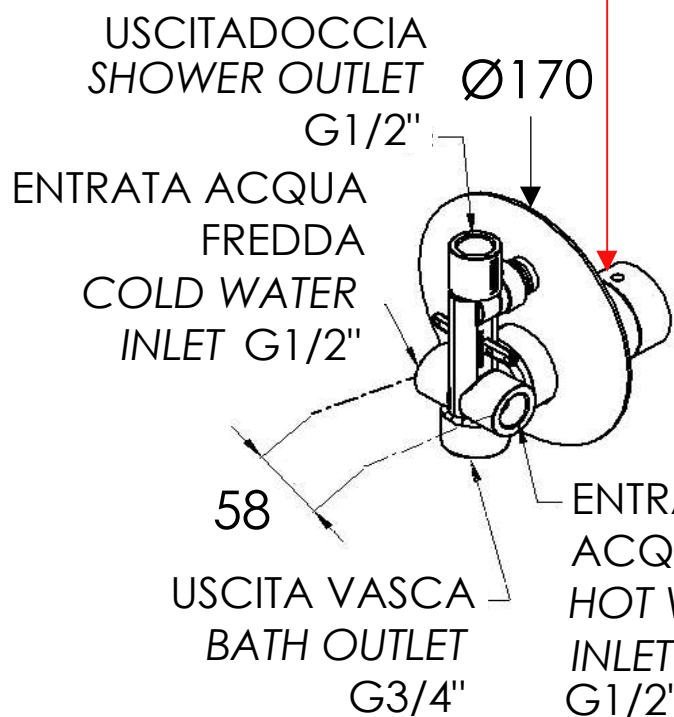
## TECHNICAL FEATURES

### RUBINETTERIE

### ART. COD.

### NT09

2 MANIGLIE COASSIALI  
2 COAXIAL HANDLES  
ON-OFF + T°



### MATERIALI / MATERIALS

OTTONE CROMATO / CHROME PLATED BRASS

### CROMATURA / CHROME PLATING

UNI EN 248

Via Leonardo da Vinci 83 - 20062 Cassano d'Adda (MI) Italy - Tel. +39-0363 364211

[info@remer.eu](mailto:info@remer.eu) [www.remer.eu](http://www.remer.eu)