

# REMER

RUBINETTERIE

SCHEDA TECNICA

TECHNICAL FEATURES

ART. COD.

NT30

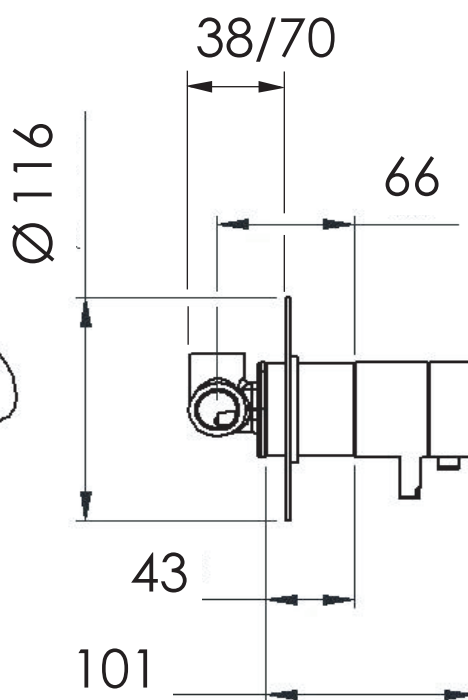
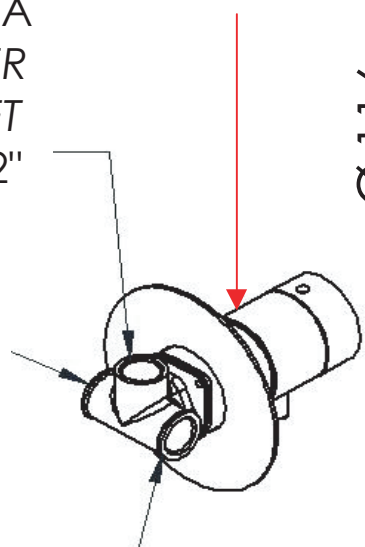
2 MANIGLIE  
COASSIALI  
2 COAXIAL  
HANDLES  
ON-OFF + T°

THERMO  
STOP  
38°C

USCITA  
DOCCIA  
SHOWER  
OUTLET  
G1/2"

ENTRATA  
ACQUA  
FREDDA  
COLD WATER  
INLET  
G1/2"

ENTRATA ACQUA CALDA  
HOT WATER INLET G1/2"



## MATERIALI / MATERIALS

OTTONE CROMATO / CHROME PLATED BRASS

## CROMATURA / CHROME PLATING

UNI EN 248

Via Leonardo da Vinci 83 - 20062 Cassano d'Adda (MI) Italy - Tel. +39-0363 364211

info@remer.eu www.remer.eu