

# REMER

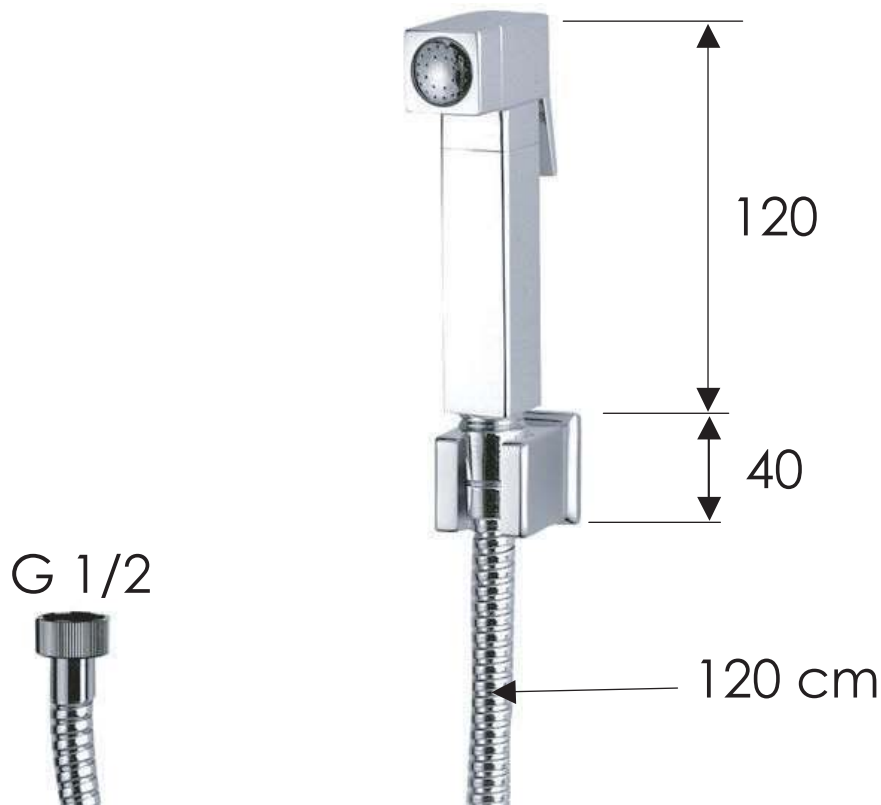
RUBINETTERIE

SCHEDA TECNICA

TECHNICAL FEATURES

ART. COD.

**3323320S**



PRESSIONE / PRESSURE  
PORTATA / FLOW RATE

0,5 bar	1 bar	2 bar	3 bar	4 bar	5 bar
7 l/min	10,5 l/min	13 l/min	15 l/min	16,5 l/min	18.5 l/min

PRESSIONE MAX STATICA / MAXIMUM STATIC PRESSURE = 10 bar

## MATERIALI / MATERIALS

OTTONE CROMATO / CHROME PLATED BRASS  
CW617N - CW506L - UNI EN 12165

## CROMATURA / CHROME PLATING

UNI EN 248

Via Leonardo da Vinci 83 - 20062 Cassano d'Adda (MI) Italy - Tel. +39-0363 364211

[info@remer.eu](mailto:info@remer.eu) [www.remer.eu](http://www.remer.eu)