

REMER

SCHEDA TECNICA

TECHNICAL FEATURES

RUBINETTERIE

ART. COD.

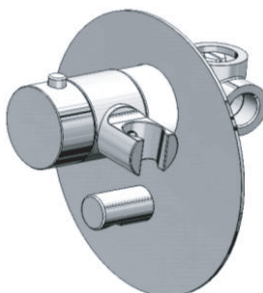
NT60W

2 MANIGLIE
COASSIALI
2 COAXIAL
HANDLES
T° STOP 38°C

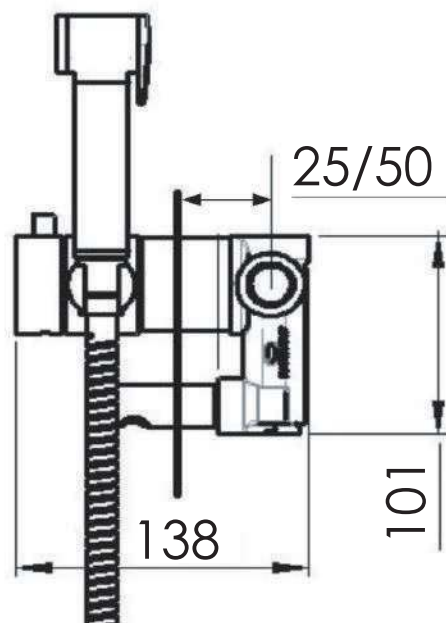
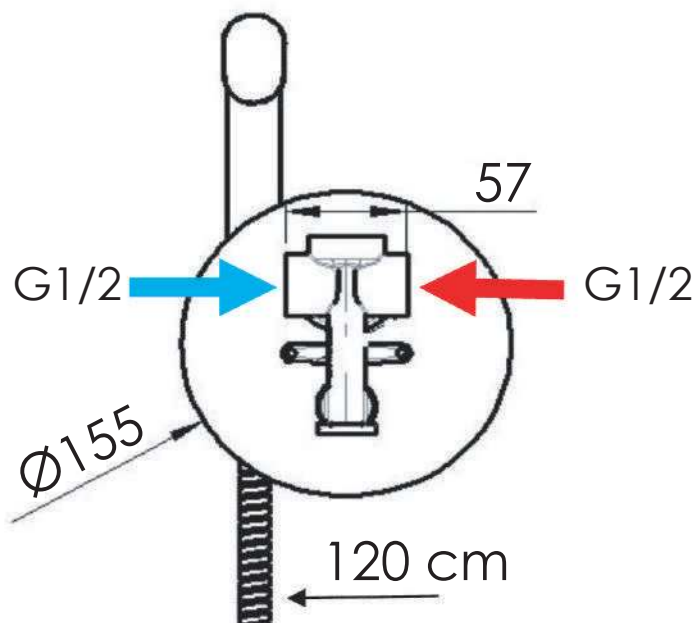
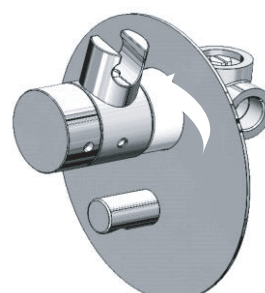
TERMOSTATICO
THERMOSTATIC



FLUSSO CHIUSO
CLOSED FLOW



FLUSSO APERTO
OPEN FLOW



MATERIALI / MATERIALS

OTTONE CROMATO / CHROME PLATED BRASS

CROMATURA / CHROME PLATING

UNI EN 248

Via Leonardo da Vinci 83 - 20062 Cassano d'Adda (MI) Italy - Tel. +39-0363 364211

info@remer.eu

www.remer.eu