

REMER

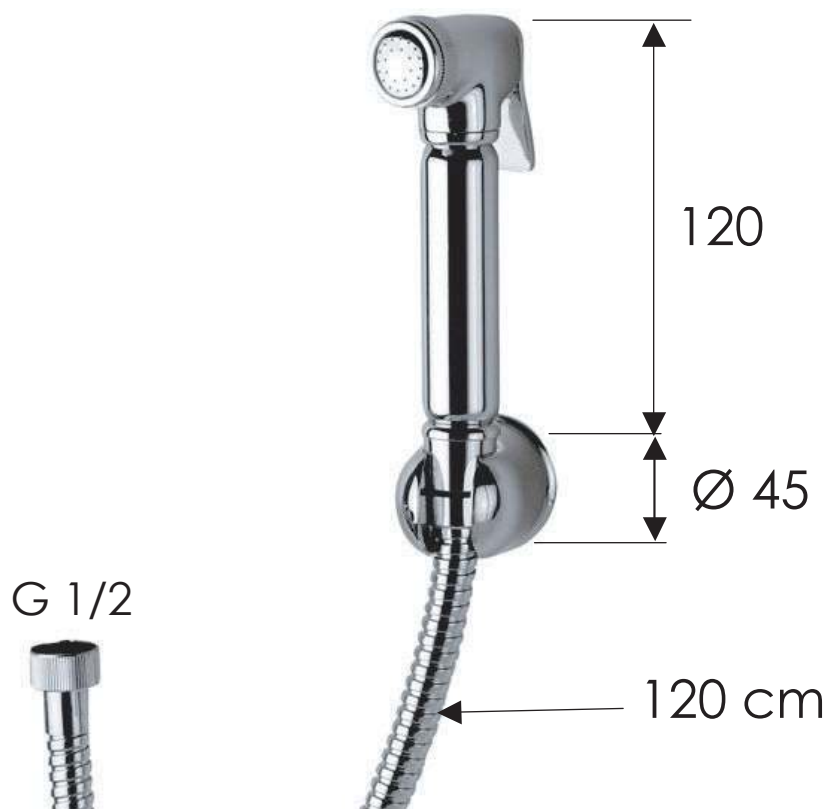
RUBINETTERIE

SCHEDA TECNICA

TECHNICAL FEATURES

ART. COD.

3323320L



PRESSIONE / PRESSURE
PORTATA / FLOW RATE

| | | | | | |
|---------|------------|----------|----------|------------|------------|
| 0,5 bar | 1 bar | 2 bar | 3 bar | 4 bar | 5 bar |
| 7 l/min | 10,5 l/min | 13 l/min | 15 l/min | 16,5 l/min | 18.5 l/min |

MATERIALI / MATERIALS

OTTONE CROMATO / CHROME PLATED BRASS

CROMATURA / CHROME PLATING

UNI EN 248

Via Leonardo da Vinci 83 - 20062 Cassano d'Adda (MI) Italy - Tel. +39-0363 364211

info@remer.eu www.remer.eu